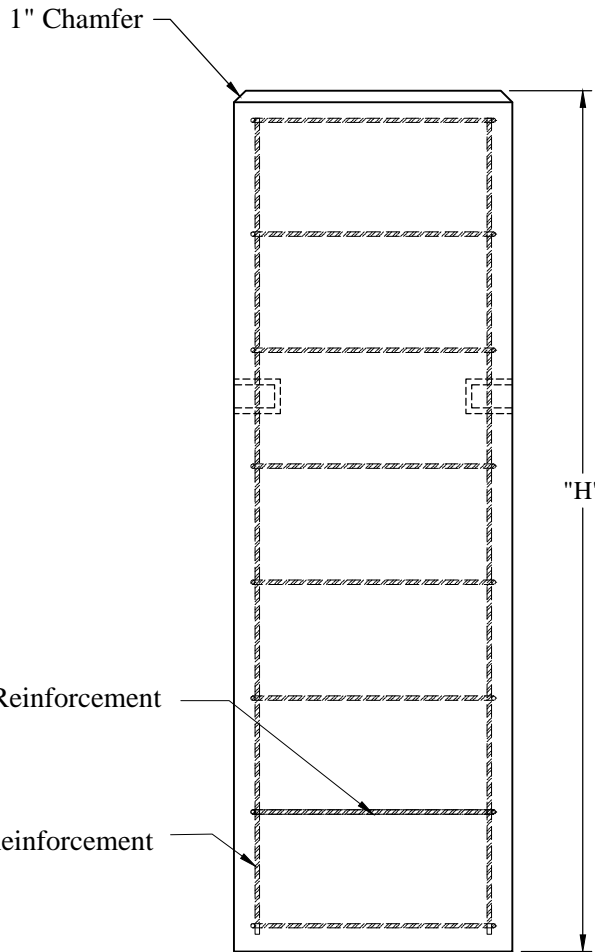
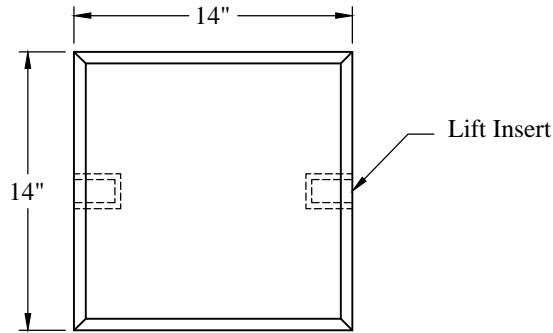


1-800-639-2199

Fax (603) 224-2927

Piers(Rectangular)\14 x 14 Inch Pier (v)



Height	Weight	P/N:
2'	410 lbs	PIER-14S2
3'	615 lbs	PIER-14S3
4'	820 lbs	PIER-14S4
5'	1,025 lbs	PIER-14S5
6'	1,230 lbs	PIER-14S6

General Notes

1. Concrete: $f_c = 4,000$ PSI @ 28 Days Minimum
2. Reinforcing Steel Conforms to Latest ASTM Specifications:
ASTM A615 Grade 60 Rebar Black Deformed Bars

Phoenix
Precast
Products

14" x 14"
Pier

Phoenix Precast Products

Phoenix Precast Products